


1.0	machine connection: drain connection hose, DN 22 hose fitted as odour trap in interior of machine
1.1	drain (max. 750 mm above finished floor level), DN 50
2.0	Machine connection: fresh water supply, G 3/4"
2.2	Soft cold water 10°C, DN 15, G 3/4 a max. 0,54 mmol/l CaCO <sub>3</sub> (max. 3°dH) Flow rate: 5,0 l/min Minimum flow pressure: 60 kPa / 0,6 bar in front of solenoid valve Maximum pressure: 500 kPa / 5,0 bar stopcock and fine screen ≤ 25 µm
3.0	Machine connection: electrical connection cable 4G 4mm <sup>2</sup>
3.1	electricity supply to the machine: 3PE 460V ~ 60Hz nominal current / - capacity: 23,0 A / 14,1 kW ⚡ Voltage equalising cable
	Electrical equipment suitable for supply voltage: 3 PE 440-480 V 60 Hz
6.0	Heat load of warewash area The values apply for the following room conditions: Room temperature 22 °C, rel. humidity 55 %  Recommended suction area according to German EN 16282 or any local regulations have to be observed to determine ventilation of wash areas The total heat load includes 6.1
6.1	Heat load of the machine in normal washing operation: for 25 programme cycles/h total 2,7 kW, perceptible 1,8 kW, latent 0,9 kW For the total space load, all other space loads must be considered. The space ventilation must be designed in accordance with EN 16282.

all cables, pipes etc leaving machine 1,4 m

the position of the connection piping can also be mirror-inverted!

### Machine Equipment

(A) Entry height

Preparation for local ECOLAB dosing system, including transformer

A "Rinse not ready" warning light has been included

Main switch, installed

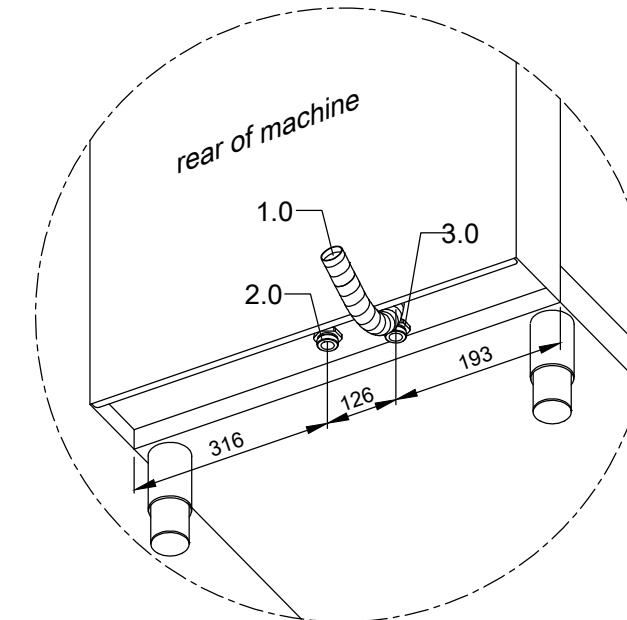
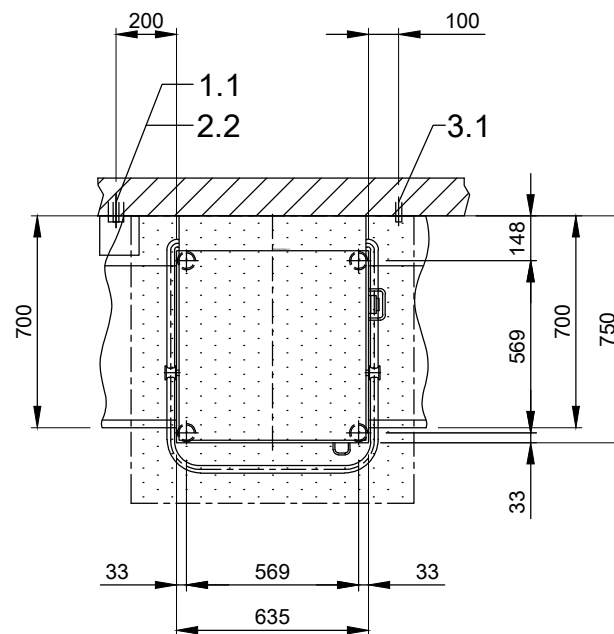
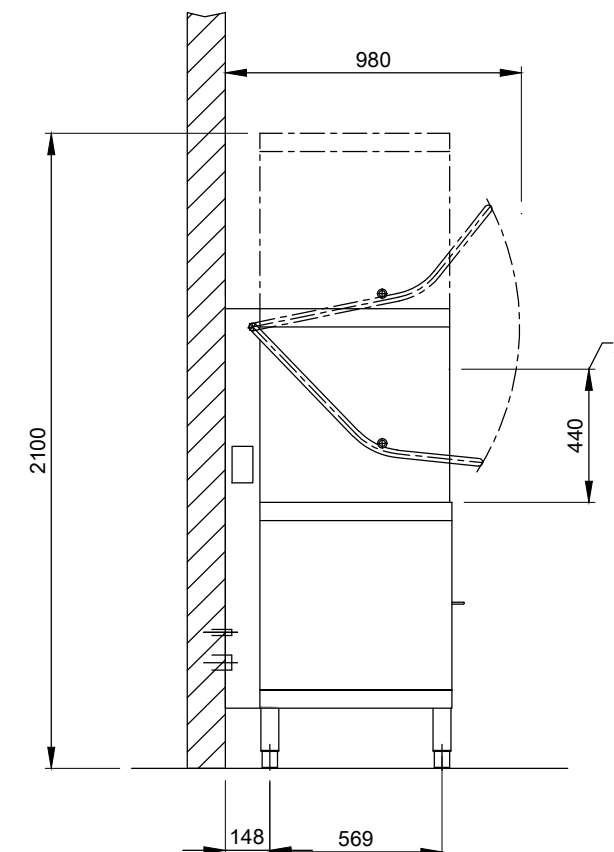
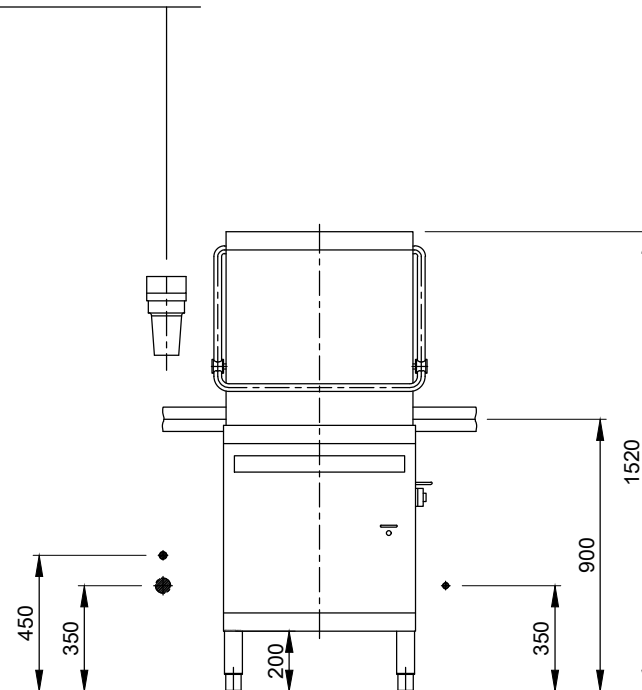
Water filter unit, supplied loose

according to USPH guidelines

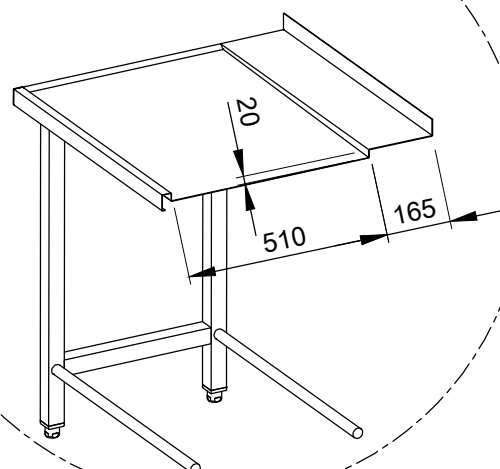
Feeding table on site

Discharge table on site

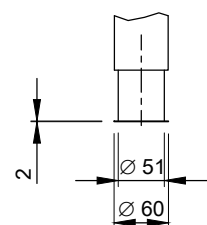
Filter unit with connection hoses  
for supply water delivered lose  
for installation on site




Requirement for  
local table profile



Machine base



 MASCHINENBAU GMBH & CO.KG. ENGLERSTR.3 77652 OFFENBURG GERMANY TEL. +49 0781/2030 TELEFAX +49 0781/2031303 E-MAIL: m-iplan@meiko-global.com	Revision		Type	DV80.2	
	Reference	DISHWASHER STANDARD DRAWING / XXX			
This drawing may not be neither passed to third parties for their information or copied or used for competitive purposes without our consent. All rights reserved. We reserve the right to make changes resulting from technical progress. This drawing was computer generated and is not subject to the checking and any release process; it is also not subject to change management. Please note: This document is only valid in conjunction with the conditions defined in Supplementary Sheet "Important Information". These can be requested from the manufacturer or downloaded from the Partnernet.	Drawing-No.	S00080009		Order-No.	
	Scale	1:25	drawn:	03.05.2020 m-iplan	checked:
					03.05.2020 m-iplan